



# RV GENERATOR

**HONDA**  
Silent Engine



## FOUR CORE TECHNOLOGY



UL TRALOW NOISE



LOW FAILURE RATE



FAULT ALARM



PURE XUANBO



OVERLOAD PROTECTION



VOLTAGE STABILITY



FUEL-EFFICIENT



EASY TO START



Reliable performance

Ultra quiet/low vibration

Honda special silent Engine, USR Industries independently researched and developed military-grade permanent magnet motors and frequency conversion control modules, with stable and reliable performance.

Use special high-density wave sound insulation materials, double compartments, double shock absorption, firm noise reduction, stable operation, and the noise inside the car is as low as 48 decibels

**10 YEARS USING LIFE**





Lightweight and Easy to install

High quality power supply

Compact size, easy to install, bottom installation method saves the space occupied by the RV to the greatest extent.



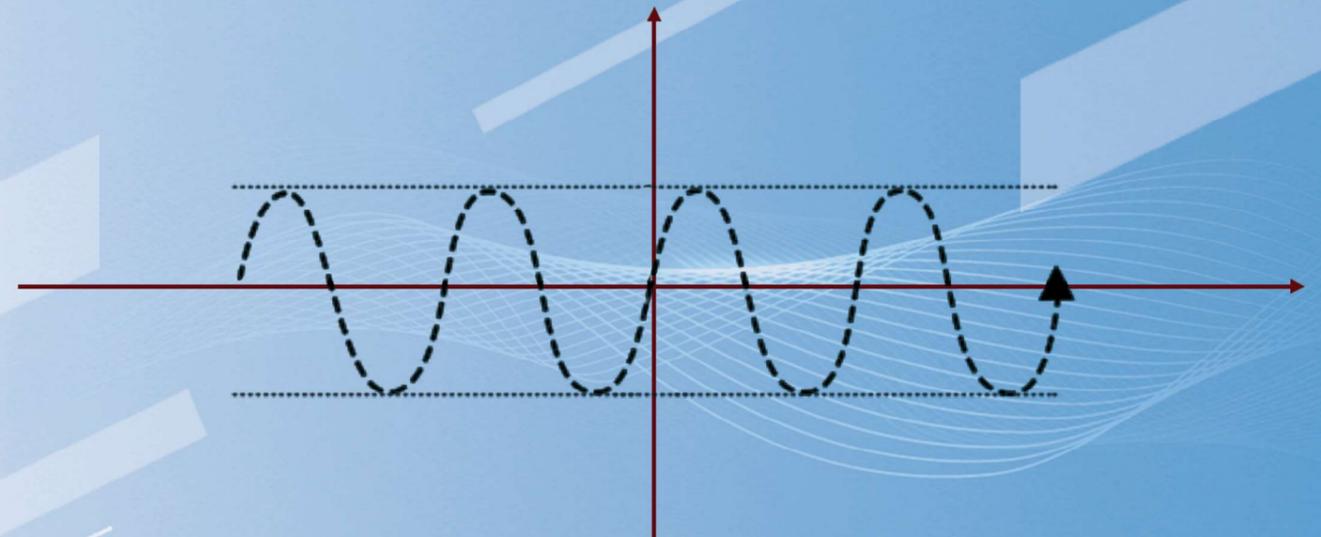
Type B RV installation



Type C RV installation



Pure sine wave output



High-quality power supply for all kinds of sensitive electrical equipment





Energy saving and fuel saving

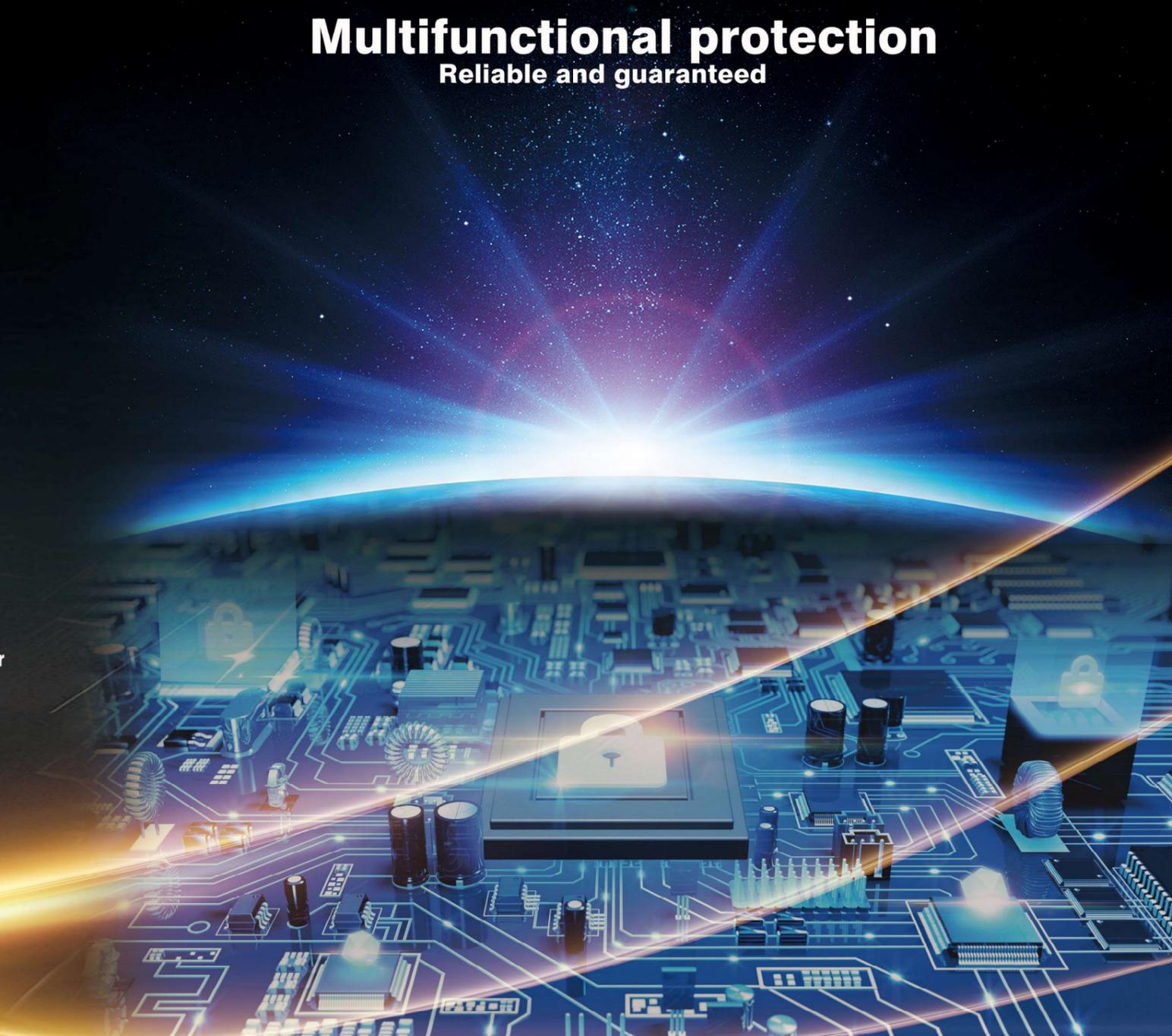
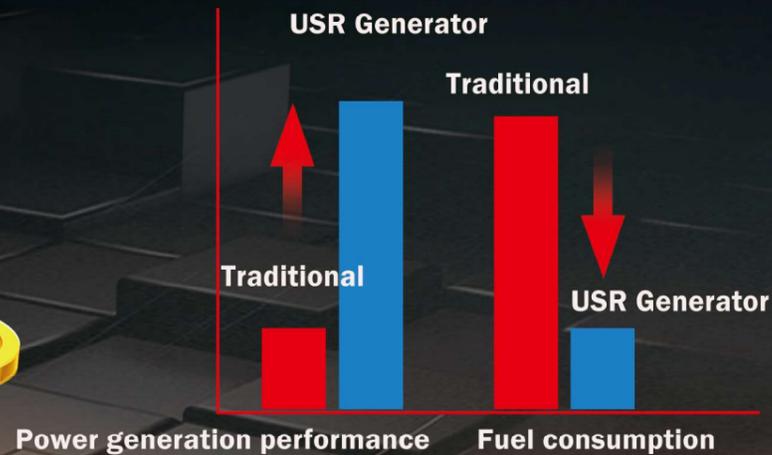
Highly intelligent

## Energy efficient Smart throttle is more fuel efficient

Intelligent throttle, which can automatically adjust the speed according to the actual load change, making its fuel consumption 20%-40% lower than ordinary units, longer running time, and economical

Multi-function protection for overload, short circuit, lack of oil, lack of gasoline and temperature, etc., highly intelligent and reliable in operation.

## Multifunctional protection Reliable and guaranteed





Highly intelligent

Long time running

Convenient operation, no need to move, remote panel control in the car, one-key remote control within 30 meters to start shutdown

You can see the amount of fuel at a glance, so you don't have to worry about when you need to refuel! The standard 20L large-capacity fuel tank can last for 20 to 30 hours with air conditioning.



Different specifications of fuel tanks can be customized according to the space of the customer's RV



No. 1 fuel Tank



No. 2 fuel Tank



Size: 300\*300\*250mm Capacity 22L    Size: 600\*200\*180mm Capacity 20L  
(Standard No. 1 fuel tank, contact customer service for special needs)

Convenient refueling, the vehicle body has a refueling port, and there is no restriction on refueling directly at the gas station



**Method 1**



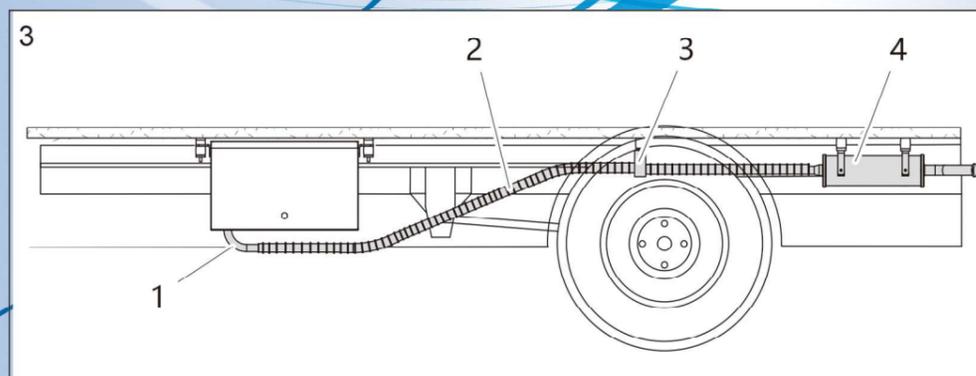
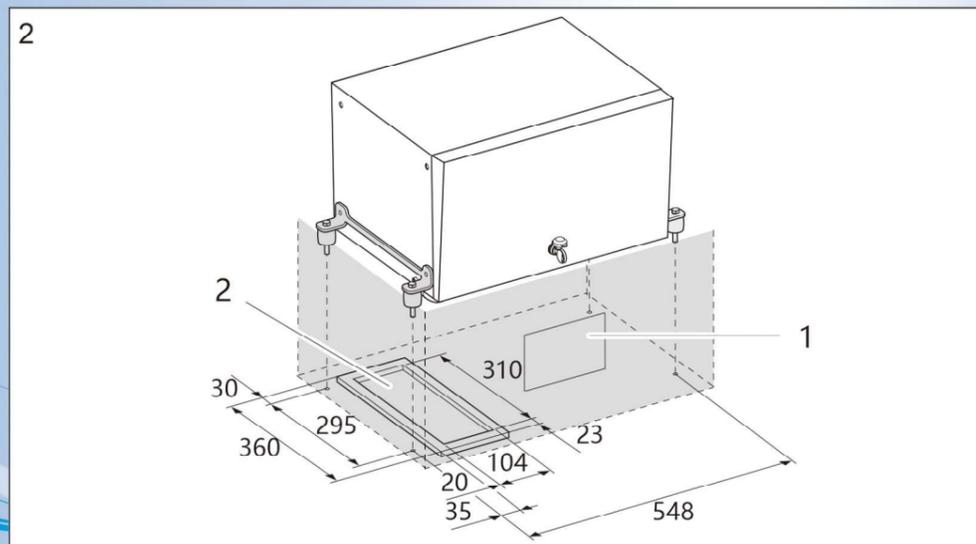
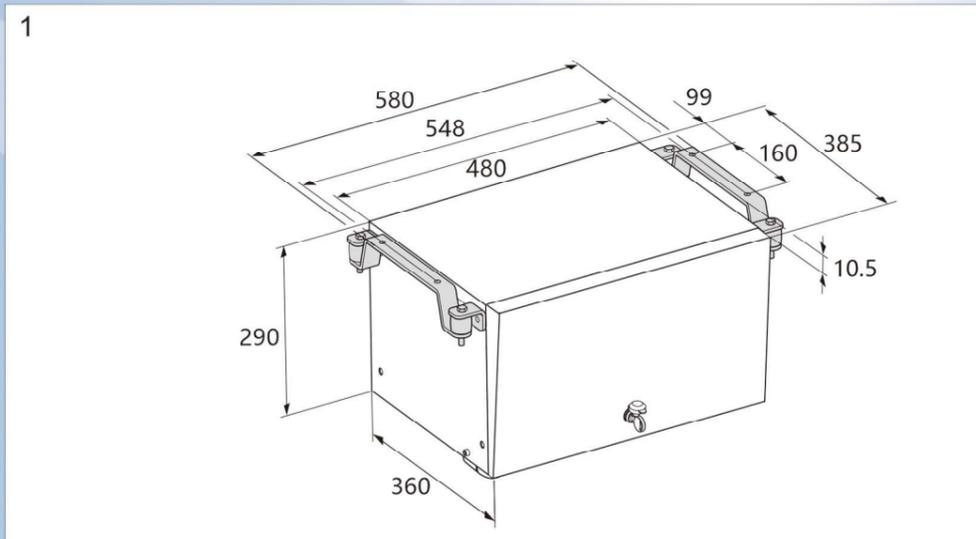
**Method 2**

Let every transcendence be a qualitative change!

# 10 ADVANTAGES

- ▲ Honda silent power, durable for 10 years
- ▲ Ultra-quiet design, low noise and vibration
- ▲ Large capacity fuel tank, 26 hours operation
- ▲ Dedicated fuel filler port for body, no restriction on fueling
- ▲ Small size, bottom installation, no space
- ▲ Remote panel remote control, convenient and quick
- ▲ Highly intelligent, multi-functional protection
- ▲ Innovative frequency conversion technology, energy saving and fuel saving 30%
- ▲ High-quality power supply, using various sensitive electrical appliances
- ▲ European vehicle standards, CE certification, EPA environmental emission certification

**Installation Method**



**Parameters Table**



**GENERATOR TEC30 3kW**

|  |                          |
|--|--------------------------|
| PRODUCT: RV GENERATOR                  | BRAND USR                |
| MODEL: TEC30                           | MAXIMUM OUTPUT: 3100W    |
| START METHOD: ELE. START+REMOTE        | CONTINUOUS OUTPUT: 2850W |
| SIZE: 48X38.5X29cm                     | ENGINE: HONDA            |
| VOLTAGE/FREQUENCY: 120V/60Hz 230V/50Hz | WEIGHT: 46KG             |
| NOISE LEVEL: 48-55dBs (7m)             | CERTIFICATE: CE, EPA     |



**GENERATOR TEC40 4kW**

|  |                          |
|--|--------------------------|
| PRODUCT: RV GENERATOR                  | BRAND USR                |
| MODEL: TEC40                           | MAXIMUM OUTPUT: 4000W    |
| START METHOD: ELE. START+REMOTE        | CONTINUOUS OUTPUT: 3600W |
| SIZE: 48X38.5X29cm                     | ENGINE: HONDA            |
| VOLTAGE/FREQUENCY: 120V/60Hz 230V/50Hz | WEIGHT: 52KG             |
| NOISE LEVEL: 48-55dBs (7m)             | CERTIFICATE: CE, EPA     |

Smaller size,Bigger power, suitable for all kinds of RV and Caravan



**Parameters Table**

**GENERATOR TEC30S 3kW**

|  |                          |
|--|--------------------------|
| PRODUCT: RV GENERATOR                  | BRAND USR                |
| MODEL: TEC30S                          | MAXIMUM OUTPUT: 3100W    |
| START METHOD: ELE. START+REMOTE        | CONTINUOUS OUTPUT: 2850W |
| SIZE: 36X38.5X29cm                     | ENGINE: HONDA            |
| VOLTAGE/FREQUENCY: 120V/60Hz 230V/50Hz | WEIGHT: 46KG             |
| NOISE LEVEL: 48-55dBs (7m)             | CERTIFICATE: CE, EPA     |



**GENERATOR TEC40S 4kW**

|  |                          |
|--|--------------------------|
| PRODUCT: RV GENERATOR                  | BRAND USR                |
| MODEL: TEC40S                          | MAXIMUM OUTPUT: 4000W    |
| START METHOD: ELE. START+REMOTE        | CONTINUOUS OUTPUT: 3600W |
| SIZE: 36.5X38.5X29cm                   | ENGINE: HONDA            |
| VOLTAGE/FREQUENCY: 120V/60Hz 230V/50Hz | WEIGHT: 52KG             |
| NOISE LEVEL: 48-55dBs (7m)             | CERTIFICATE: CE, EPA     |



## Super power, do whatever you want

Honda motor, low fuel consumption, low noise, providing one-stop service, suitable for RV, ice cream RV, Caravans, inspection vehicles.



### Parameters Table



#### Generaor TEC60 6kW

|                                 |                          |
|---------------------------------|--------------------------|
| PRODUCT: GASOLINE GENERATOR     | BRAND USR                |
| MODEL: TEC60                    | MAXIMUN OUTPUT: 6000W    |
| START METHOD: ELE. START+REMOTE | CONTINUOUS OUTPUT: 5500W |
| SIZE: 59X53X36.5cm              | ENGINE: HONDA            |
| VOLTAGE/FREQUENCY: 240V/50Hz    | WEIGHT: 98KG             |
| NOISE LEVEL: 48-56dBs (7m)      | CERTIFICATE: CE, EPA     |



#### Generaor TEC60 6kW

|                                 |                          |
|---------------------------------|--------------------------|
| PRODUCT: GASOLINE GENERATOR     | BRAND USR                |
| MODEL: TEC60                    | MAXIMUN OUTPUT: 6000W    |
| START METHOD: ELE. START+REMOTE | CONTINUOUS OUTPUT: 5500W |
| SIZE: 59X53X36.5cm              | ENGINE: HONDA            |
| VOLTAGE/FREQUENCY: 240V/50Hz    | WEIGHT: 98KG             |
| NOISE LEVEL: 48-56dBs (7m)      | CERTIFICATE: CE, EPA     |

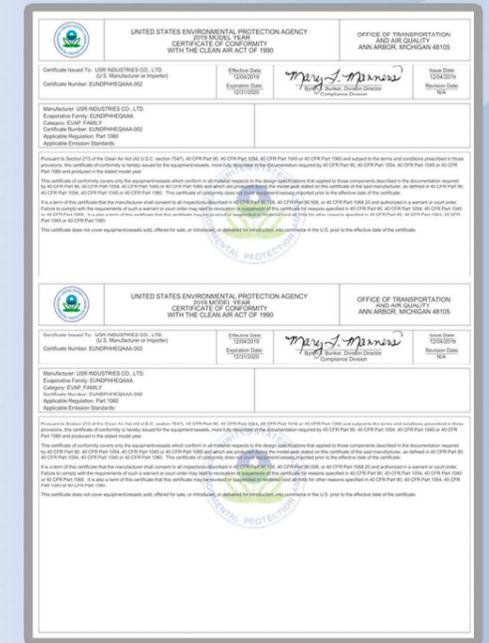
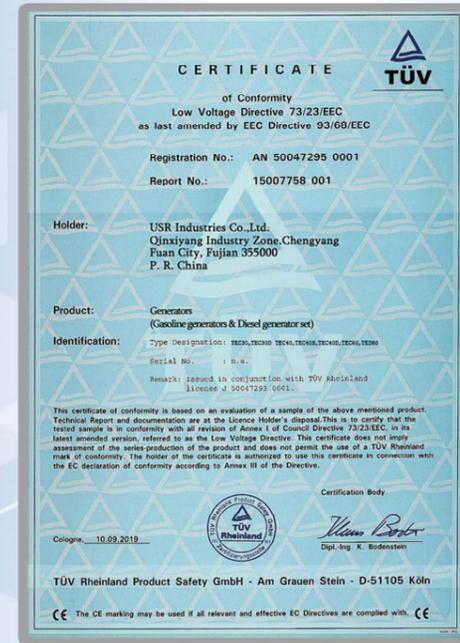
**Focus on RV generators**

*Carefree use of electricity, let your mood fly away!*

**Case of installing USR generator**



**Certificate CE & EPA**



**China & Hong Kong registered trademarks**



**Thank you for choosing USR generators!**